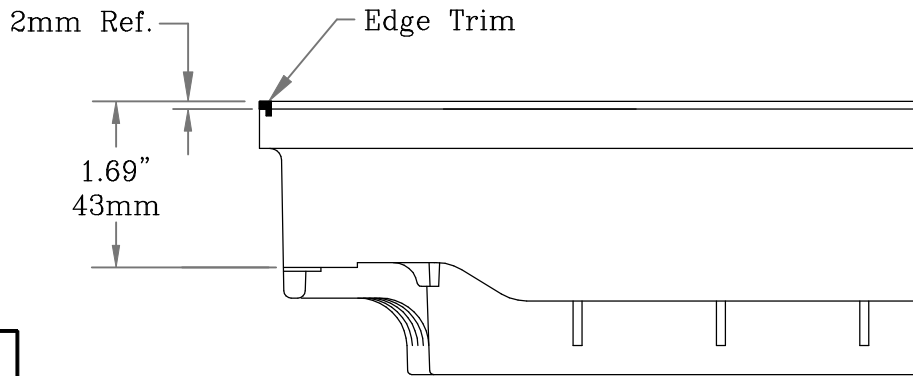


← 24" Square or 600mm Square →

PARTIAL BOTTOM VIEW



PARTIAL SIDE VIEW
(2mm Tile Covered Panel)

Finishes Available

- Mill Finish
- Degreased
- Anodized
- Clear Coat
- Standard Epoxy
- Conductive Epoxy
- Nickel Chrome
- Autocatalytic

Material:
Die Cast Aluminum

HD24/60
(HEAVY-DUTY 3,500 lb.)

2mm TILE COVERED
SOLID PANEL WITH EDGE TRIM

MAXCESS ALUMINUM FLOORS, INC.

3261 Benchmark Drive, Ladson, SC 29456
TEL (843) 824-1225 FAX (843) 824-1283

No. CS-3125