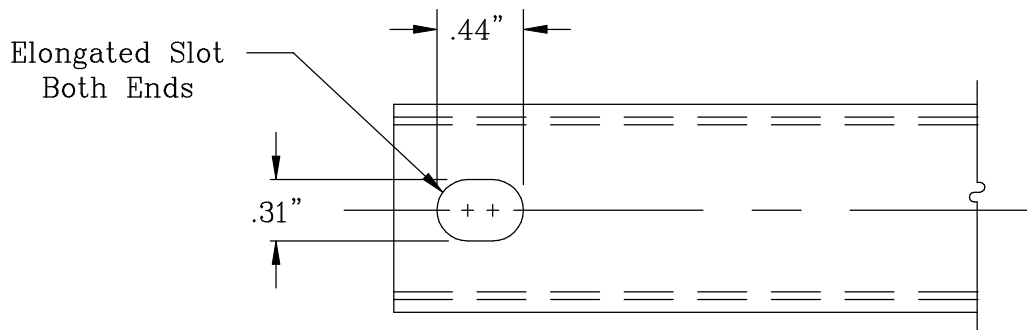
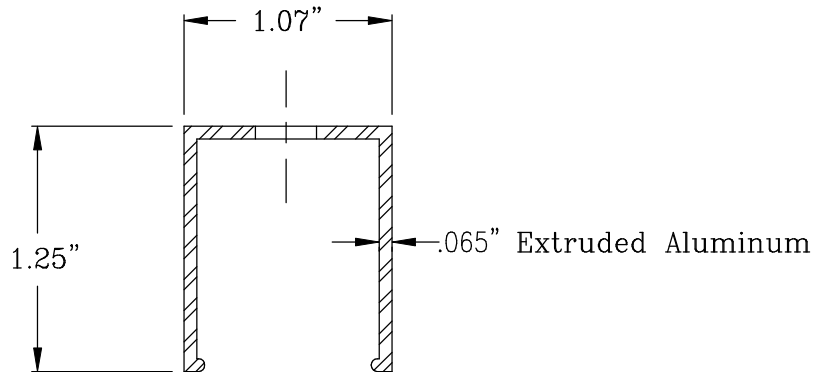


SIDE SECTION VIEW



TOP VIEW



END SECTION VIEW

Finishes Available

- Mill Finish
- Degreased
- Anodized
- Clear Coat
- Standard Epoxy
- Conductive Epoxy
- Nickel Chrome
- Autocatalytic

**MAXCESS ALUMINUM FLOORS, INC.**

3261 Benchmark Drive, Ladson, SC 29456  
 TEL (843) 824-1225 FAX (843) 824-1283

CS1S  
 2 Ft. STRINGER  
 RIGID GRID SYSTEM